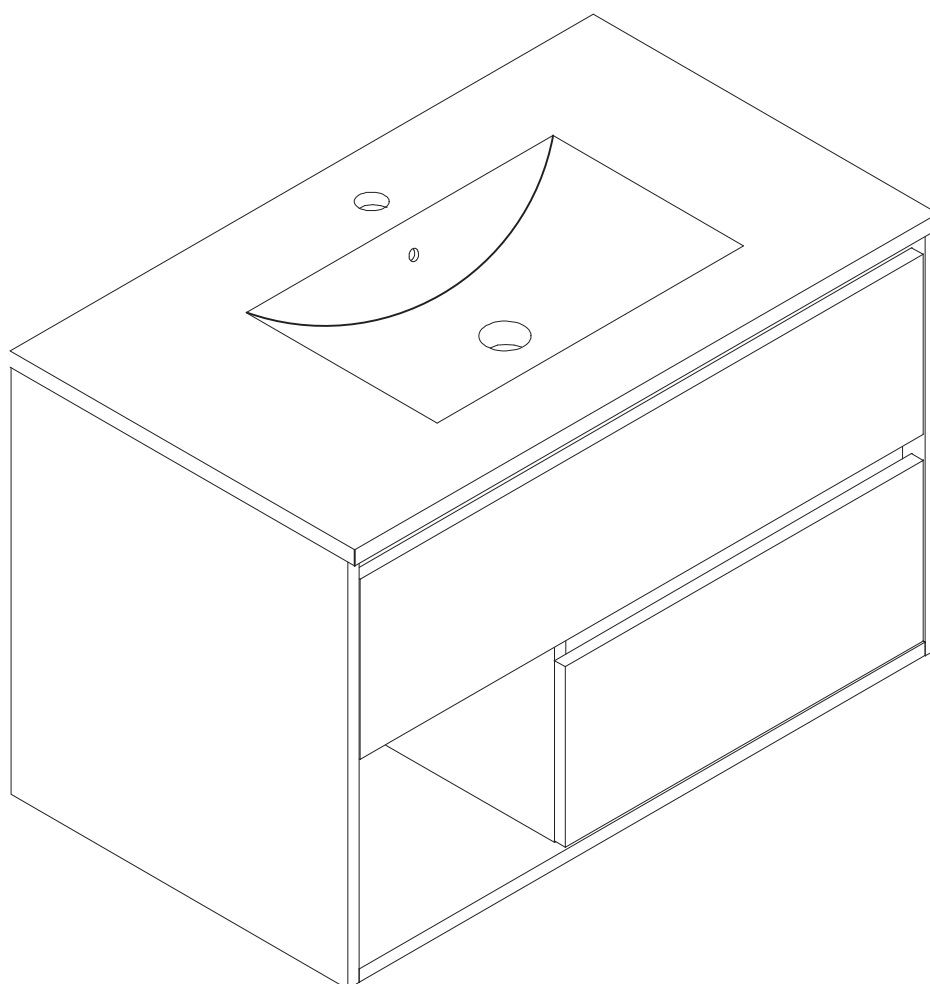





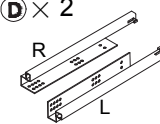
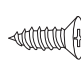

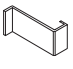
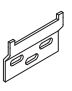
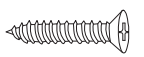








MANUAL DE INSTRUCCIONES

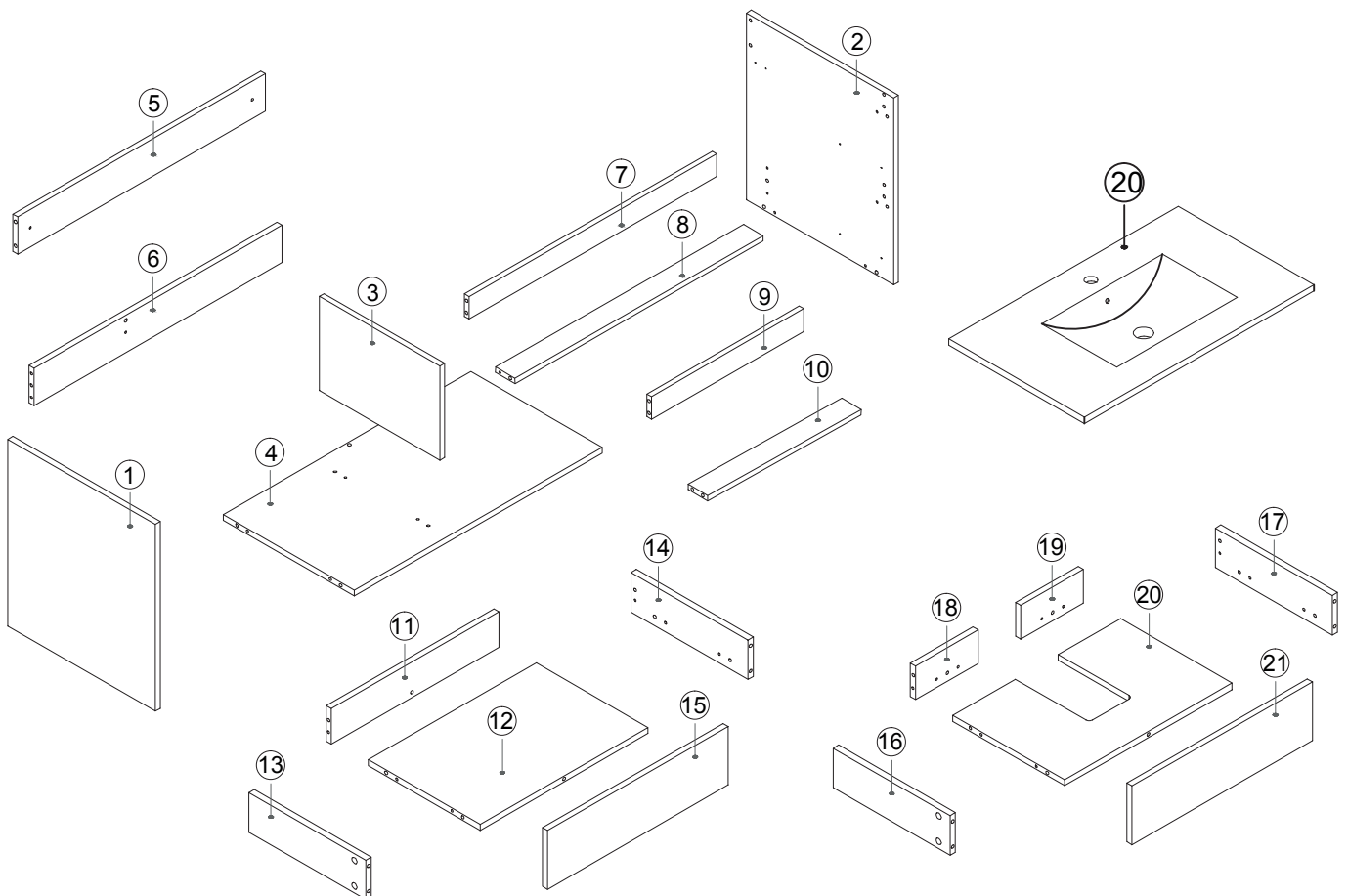
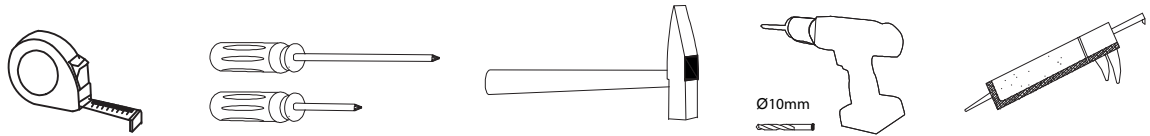
BT2498 - BT2499



MUEBLE DE BAÑO

A × 51 	B × 51 	C × 31 	D × 2  R L	E × 33  M4x14mm	F × 2  F-1  F-2	G × 2 	H × 4  M4x25mm
J × 1 	K × 2  Ø10x42mm	L × 2  M6x60mm	M × 6  Ø8x35mm	N × 6  M5x50mm	S × 51 		

Herramientas de montaje

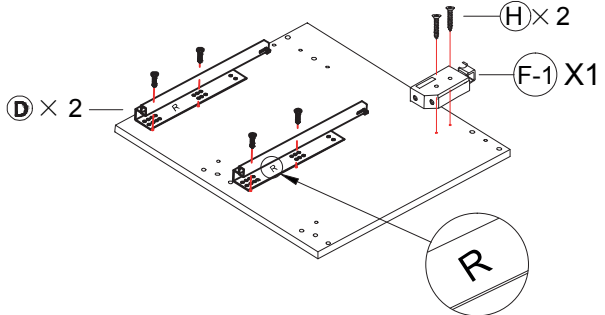
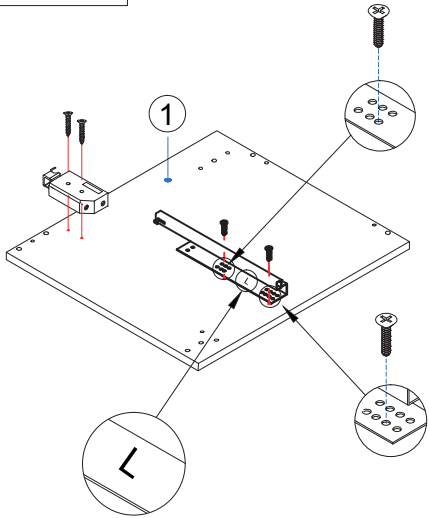
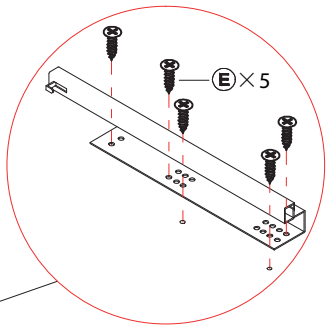
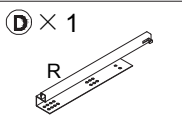
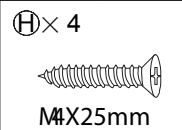
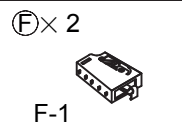
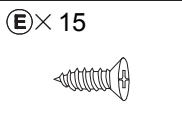
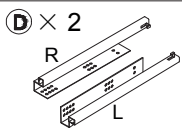


NO.	Dimension LxWxT MM	Quantity
①	460 × 455 × 15	1
②	460 × 455 × 15	1
③	373 × 225 × 15	1
④	565 × 405 × 15	1
⑤	565 × 100 × 15	1
⑥	565 × 100 × 15	1
⑦	565 × 60 × 15	1

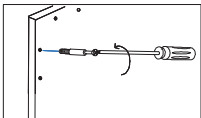
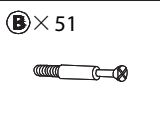
NO.	Dimension LxWxT MM	Quantity
⑧	565 × 60 × 15	1
⑨	345 × 60 × 15	1
⑩	345 × 60 × 15	1
⑪	303 × 89 × 15	1
⑫	324 × 303 × 15	1
⑬	340 × 100 × 15	1
⑭	340 × 100 × 15	1

NO.	Dimension LxWxT MM	Quantity
⑮	357.5 × 188.5 × 15	1
⑯	340 × 100 × 15	1
⑰	340 × 100 × 15	1
⑱	199 × 85 × 15	1
⑲	199 × 85 × 15	1
⑳	523 × 324 × 15	1
㉑	560 × 188.5 × 15	1

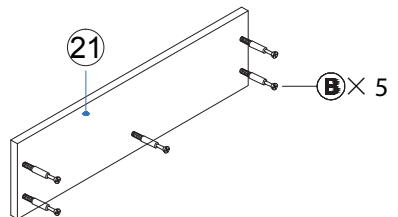
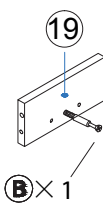
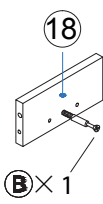
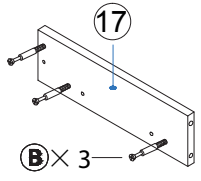
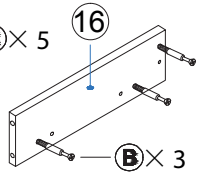
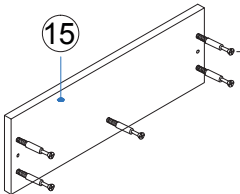
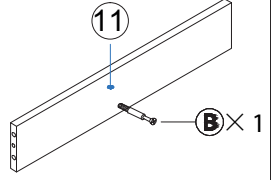
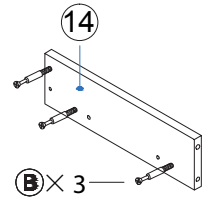
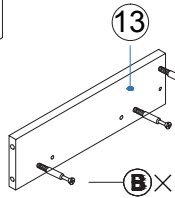
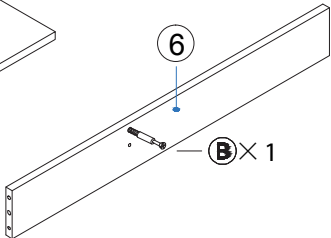
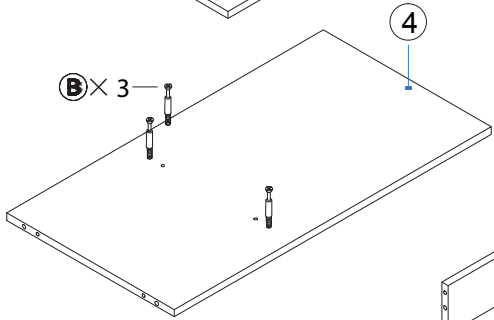
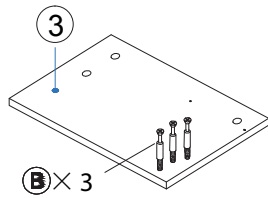
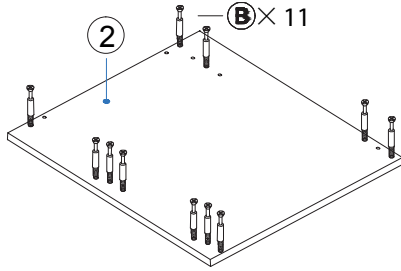
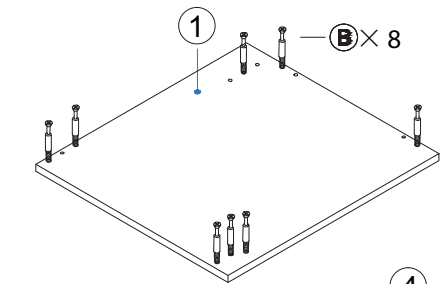
1



2



Atención: No apretar demasiado los tornillos



3

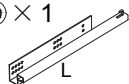
A × 26



C × 15



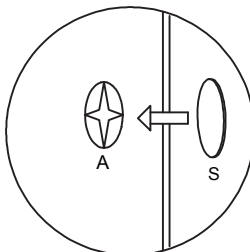
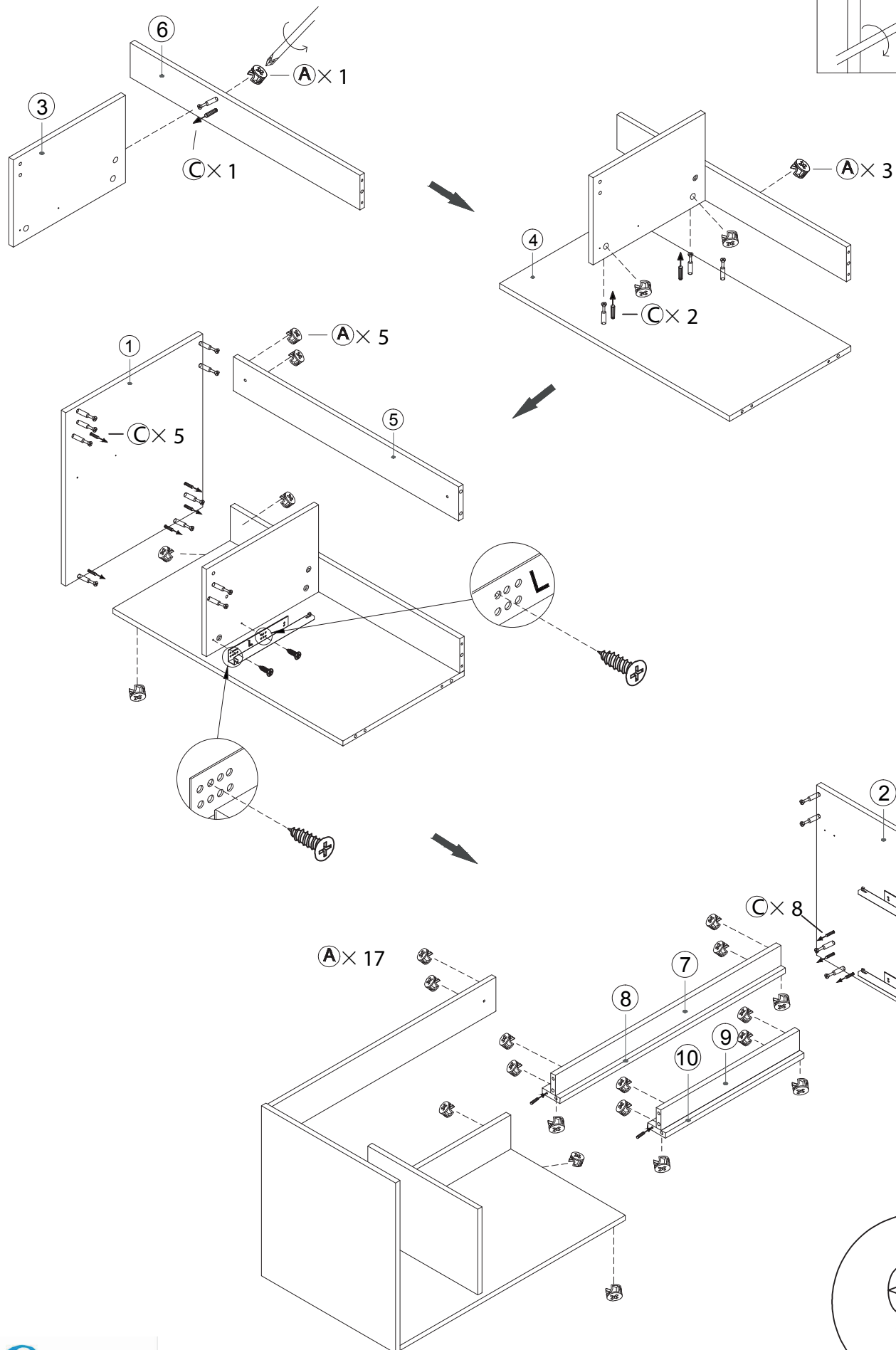
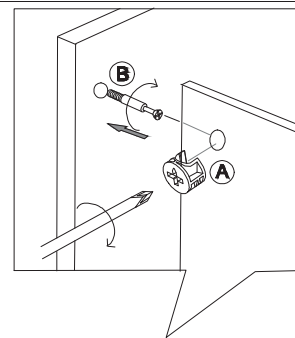
D × 1



E × 5



S × 51



4

A × 25



C × 16



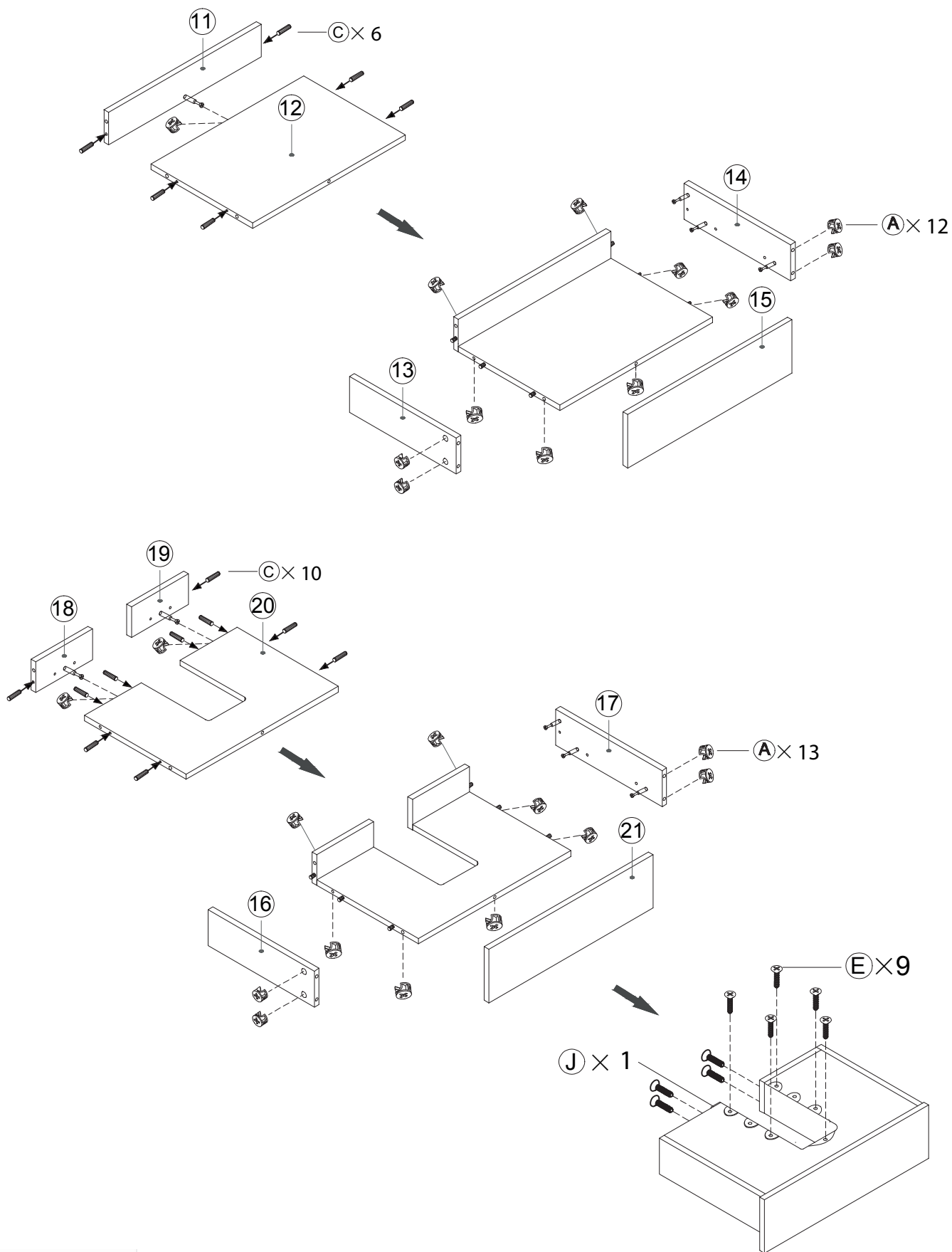
J × 1



E × 9

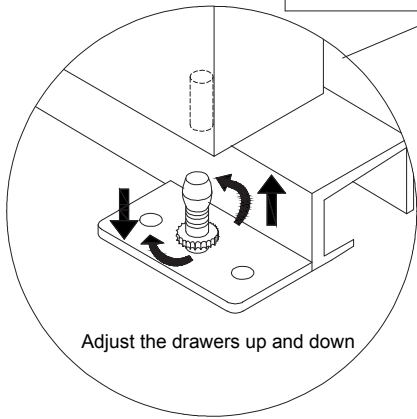
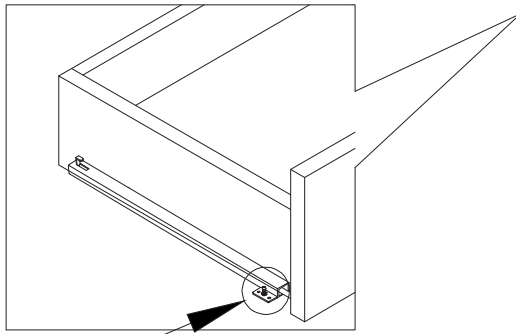
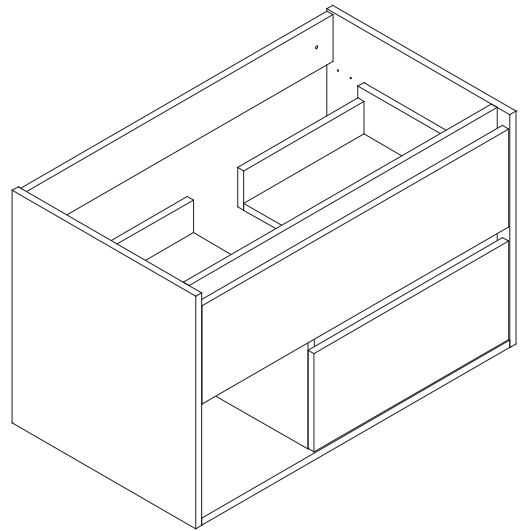


S × 25

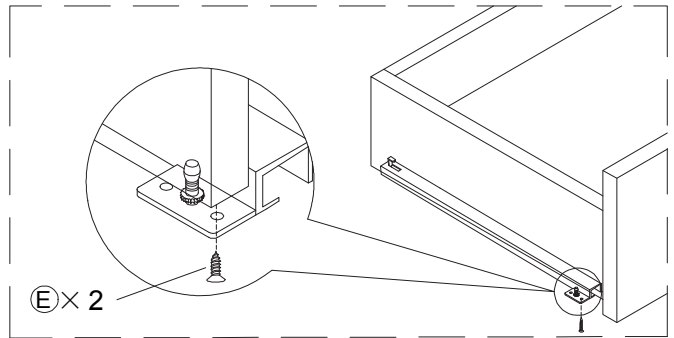


5

E × 4



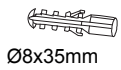
Adjust the drawers up and down



E × 2

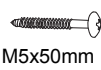
7

M × 6



Ø8x35mm

N × 6

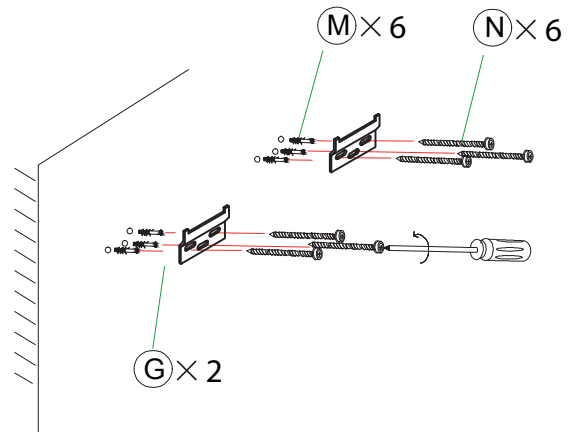
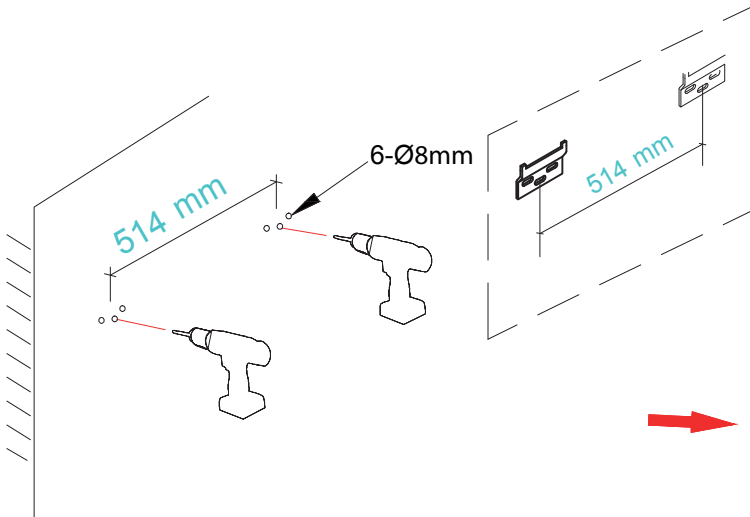


M5x50mm

G × 2

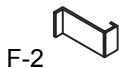


Ø8mm



6

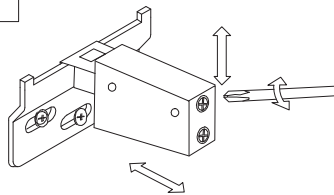
F × 2



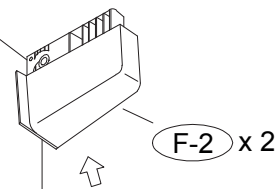
F-2



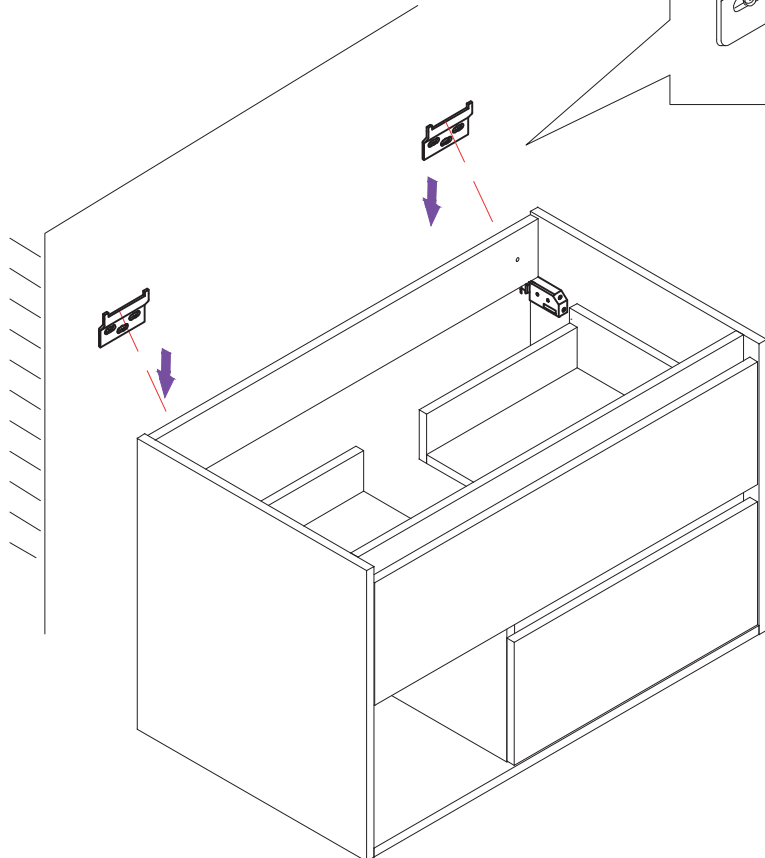
1



2



F-2 x 2



7



Ø10mm



K × 2



L × 2

